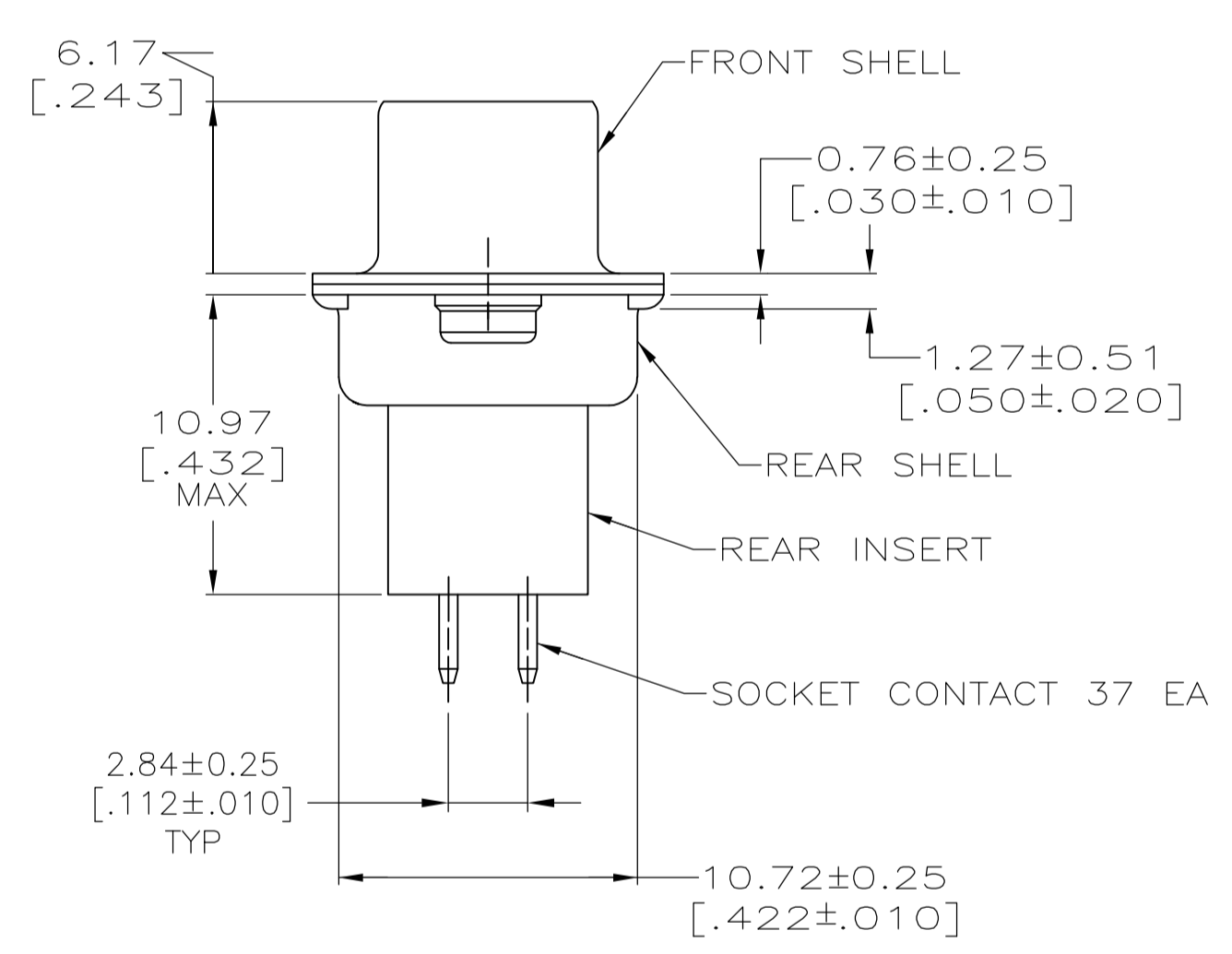
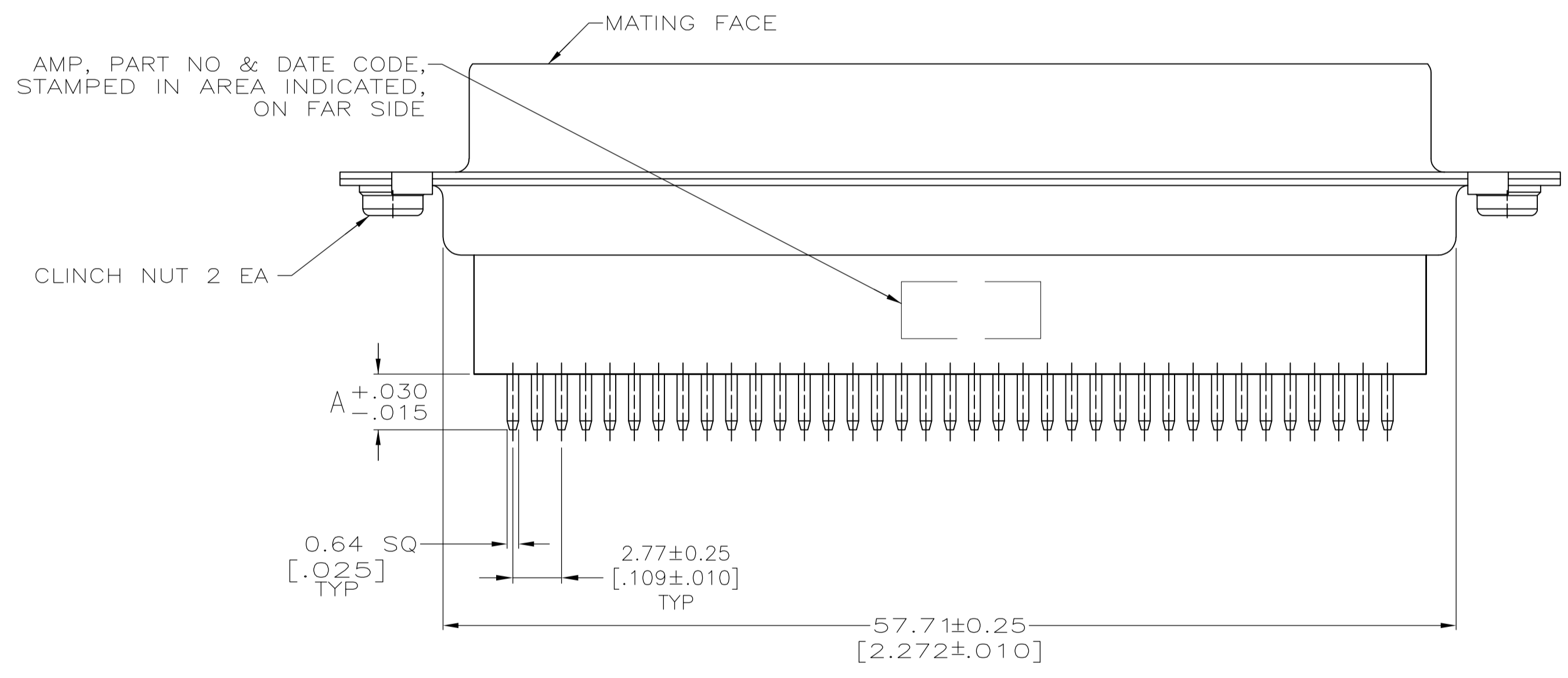
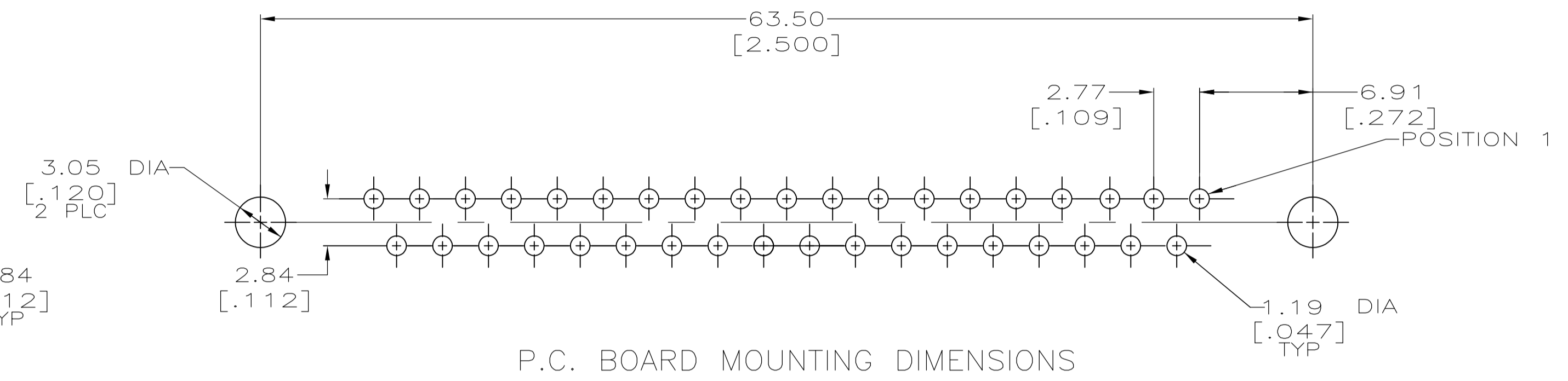
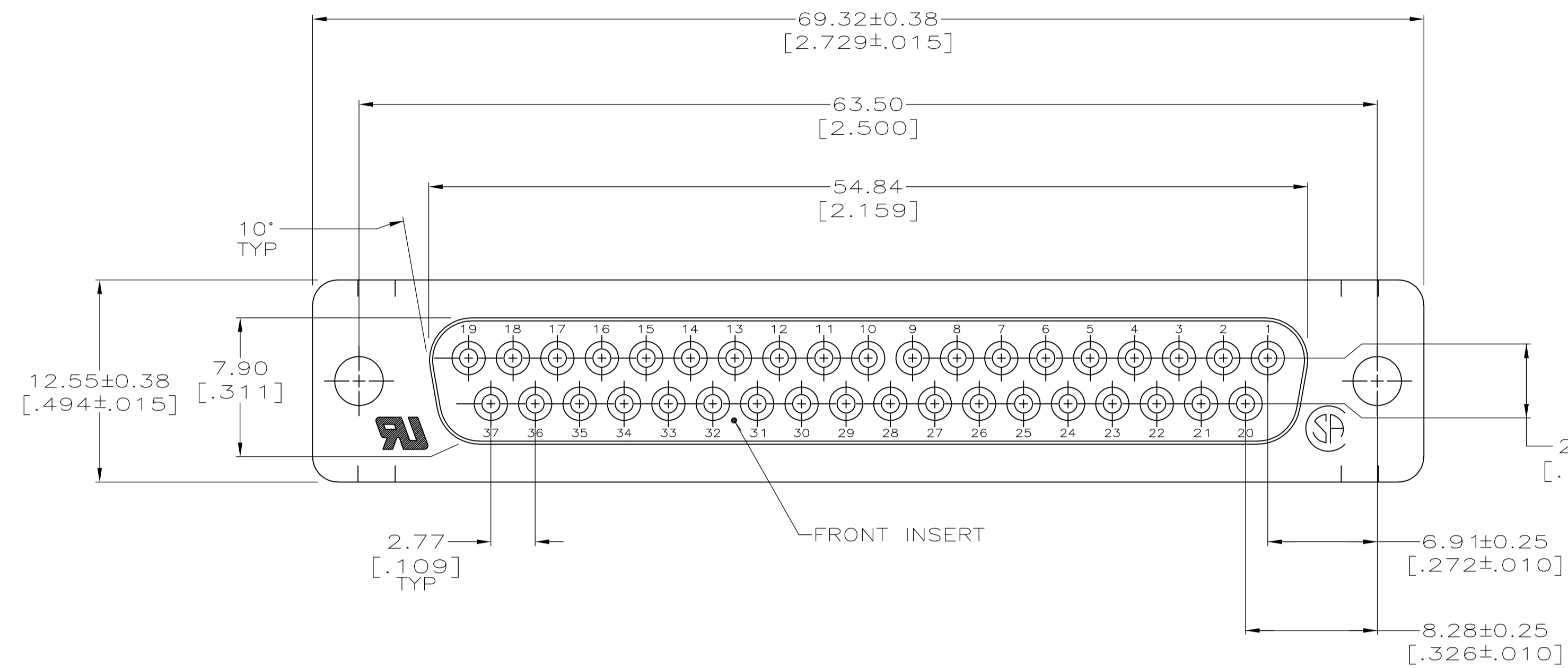


LOC		DIST		REVISIONS			
P	LTR	DESCRIPTION	DATE	DWN	APVD		
J		REVISED PER ECO-10-000073	12FEB2010	CR	SB		



- ⚠ MOLDED PARTS: FLAME RETARDANT THERMOPLASTIC, 94V-0 RATED, BLACK.
- CLINCH NUTS & SHELLS: CARBON STEEL
- CONTACTS: PHOS BRONZE
- ⚠ CLINCH NUTS: ZINC PLATED.
- SHELLS: TIN PLATED.
- CONTACTS: $0.76 \mu\text{m}$ [0.000030] MIN GOLD ON MATING SOLDER END, $2.54 \mu\text{m}$ [0.000100] MIN TIN-LEAD ON SOLDER END, $1.27 \mu\text{m}$ [0.000050] MIN NICKEL ALL OVER.
- OR-
- GOLD FLASH OVER PALLADIUM-NICKEL, $0.76 \mu\text{m}$ [0.000030] MIN TOTAL ON MATING END, $2.54 \mu\text{m}$ [0.000100] MIN TIN-LEAD ON SOLDER END, $1.27 \mu\text{m}$ [0.000050] MIN NICKEL ALL OVER.

SUPSD BY 747315-7	-	-	747315-8
SUPSD BY 747315-1	-	-	747315-7
	OBSELETE	-	747315-6
	OBSELETE	-	747315-5
	OBSELETE	-	747315-4
	OBSELETE	-	747315-3
SUPSD BY 747315-1	-	-	747315-2
	⚠	3.18 [0.125]	747315-1
	GOLD FINISH	A	PART NUMBER

THIS DRAWING IS A CONTROLLED DOCUMENT.

DIMENSIONS: mm [INCHES]	TOLERANCES UNLESS OTHERWISE SPECIFIED:	DIN C. REIFSNYDER 11 AUG 95	APVD R. TAYLOR 23 AUG 95	NAME R. TAYLOR	Tyco Electronics Corporation Harrisburg, PA 17105-3608
0 PLC ± -	1 PLC ± -	2 PLC ± 0.13 [0.005]	3 PLC ± -	4 PLC ± -	RESTRICTED TO
MATERIAL		FINISH	SIZE A1	CAGE CODE 00779	DRAWING NO 747315
CUSTOMER DRAWING		SCALE 4:1	SHEET 1 OF 1	REV J	

RECEPTACLE ASSY, SIZE 4, 37 POS, VERTICAL, W/CLINCH TM